

CCS Technical Documentation

NPM-8 Series Transceivers

8. Disassembly/Assembly

Contents

	Page No
Disassemble the NPM-8 Transceiver.....	5
Preparation for Disassembly	5
Disassembly Tools	5
ESD Protection.....	5
1. Remove B-cover	6
2. Remove Battery	6
3. Remove SIM card	7
4. Remove A-cover	7
5. Remove screws (Torx #6)	8
6. Remove Lightguide Assembly	8
6.1 Remove Metal frame & Earpiece.....	9
7. Remove the PWB Assembly	10
7.1 Remove shielding lids	10
8. Remove components from D-cover Assembly	11
8.1 Remove SALT speaker	12
8.2 Remove the SIM support.....	12
8.3 Remove Release spring	13
Assemble the NPM-8 Transceiver	14
1. Mount components in D-cover	14
1.1 Mount release spring	15
1.2 Mount shielding lids on PWB	15
2. Mount PWB on D-cover	16
3. Mount Earpiece and metal frame	16
4. Mount Domesheet	17
5. Mount Display Assembly on D-cover	17
6. Mount screws (Torx #6)	18
7. Mount Keymat and A-cover Assembly	18
8. Mount SIM Card	19
9. Mount Battery	19
10. Mount B-cover Assembly	20

Disassemble the NPM-8 Transceiver

Preparation for Disassembly

Disassembly Tools



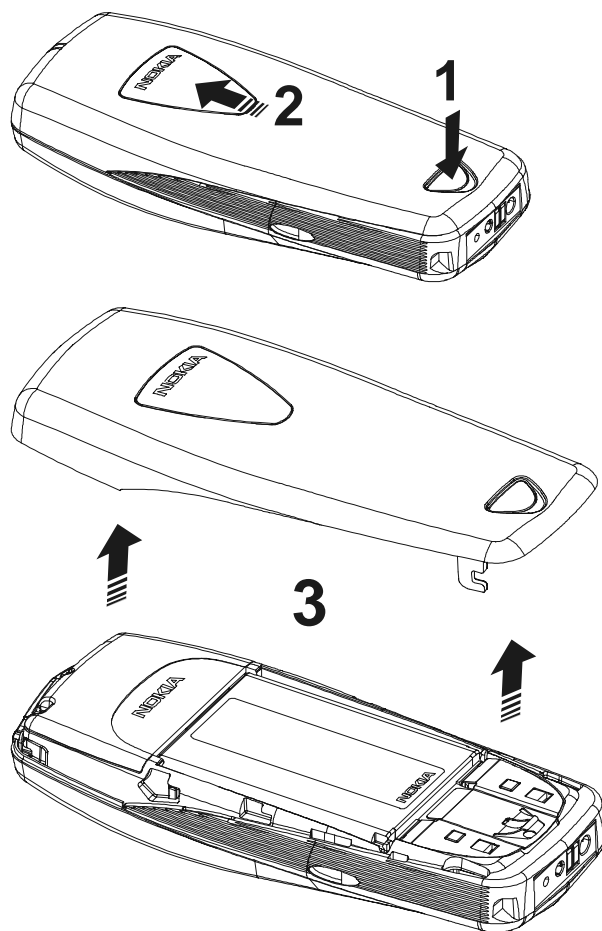
Shown left to right: Torque-limiting screwdriver (torque set at 28N-cm), fiberglass soldering aid, and T6 Torx+ driver.

ESD Protection



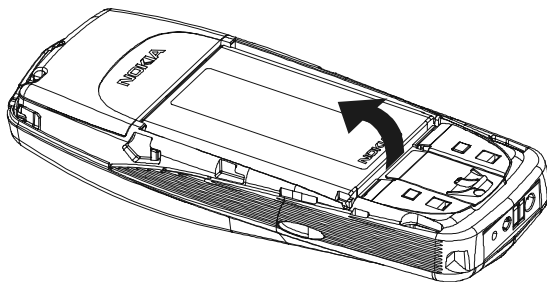
Some form of ESD protection should be used when handling the PWB and other electronic components. The photo above shows a wrist strap, which can be grounded to a bench. This or some other form of ESD protection should be used when handling the phone.

1. Remove B-cover



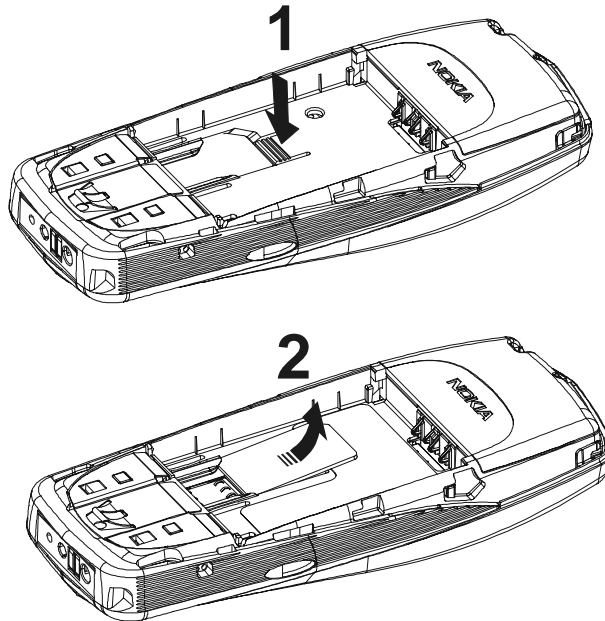
- 1 Press and hold the release button.
- 2 With other hand, place thumb on logo badge and push B-cover in the direction of arrow 2.
- 3 Once B-cover is pushed forward, lift it off to remove.

2. Remove Battery



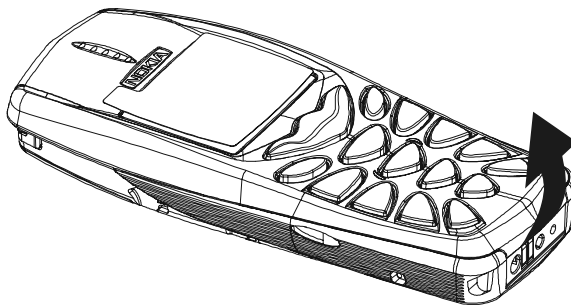
Lift the battery out in the direction of the arrow.

3. Remove SIM card



- 1 Press plastic spring down (for location, see arrow #1 above).
- 2 Place thumb from the other hand on SIM card. Press and slide the SIM card in the direction of arrow 2 above.

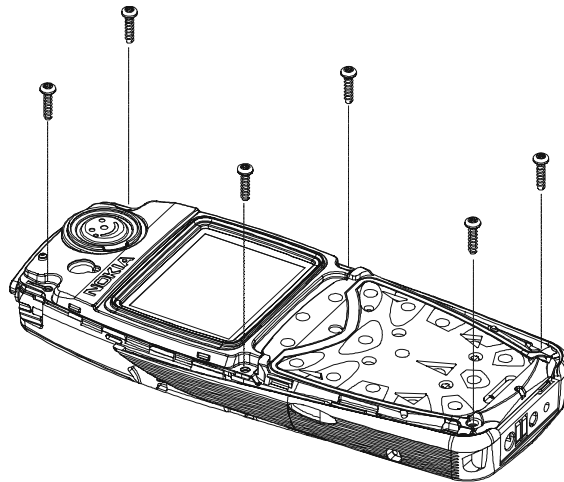
4. Remove A-cover



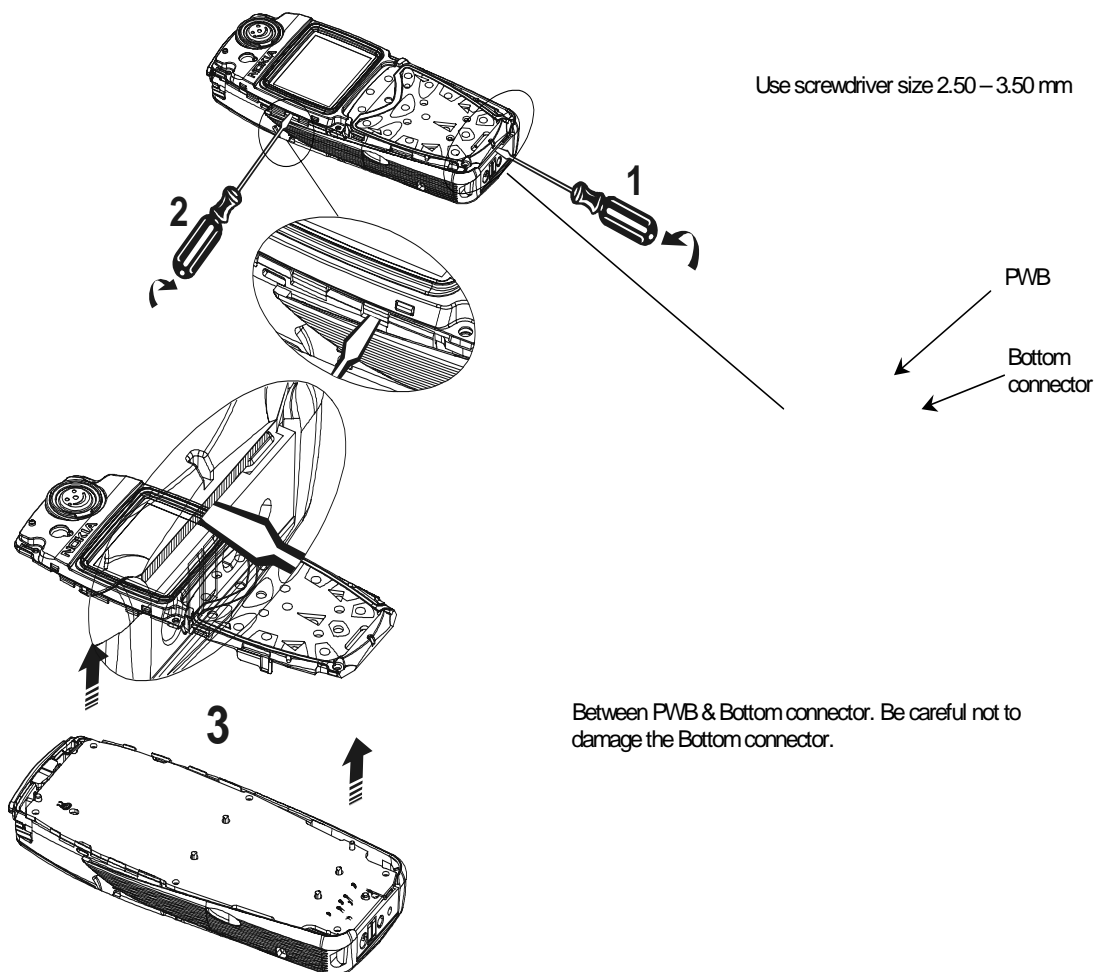
Place thumb under the edge of the A-cover and fingers on top. Pull the A-cover gently until a snaps deactivates.

Be careful that the keymat does not fall out.

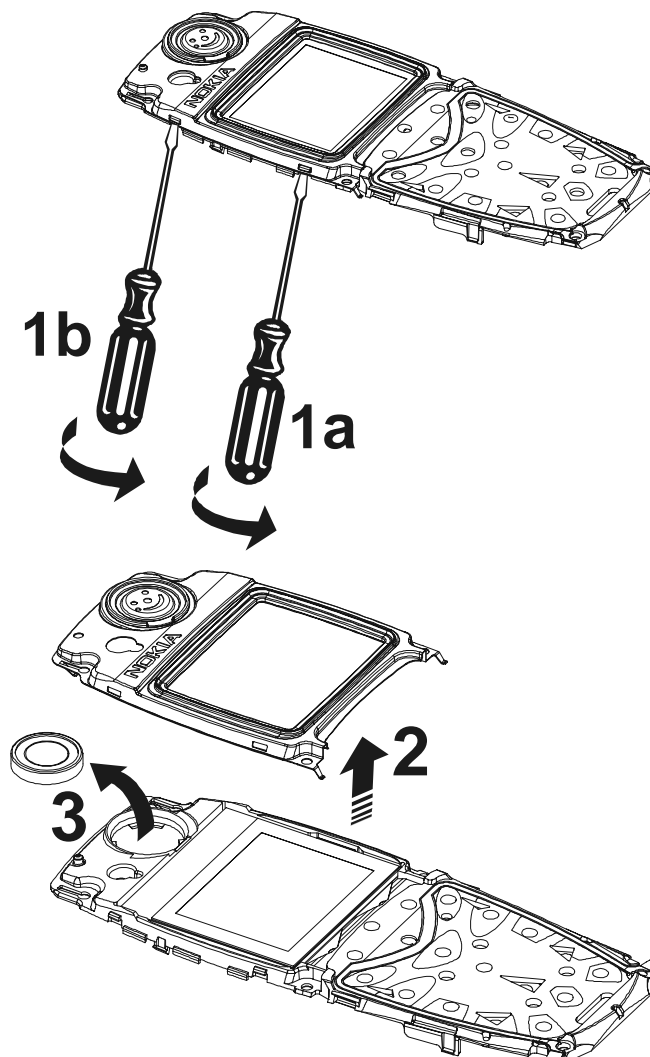
5. Remove screws (Torx #6)



6. Remove Lightguide Assembly



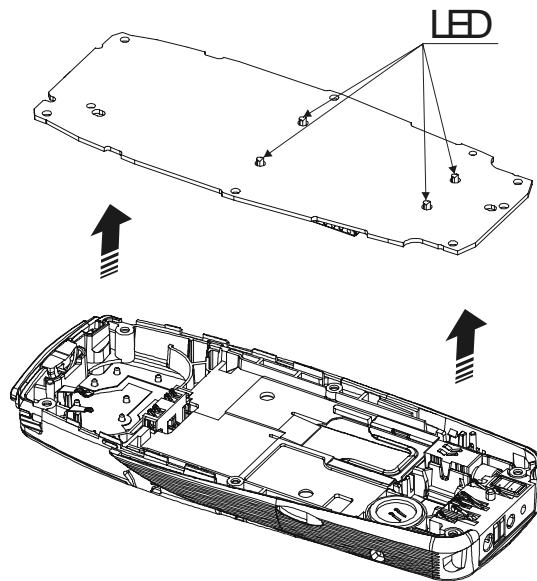
6.1 Remove Metal frame & Earpiece



Use screwdriver size 2.50 – 3.50 mm.

- 1 Turn screwdriver at snaps, only on one side (#1a and 1b above).
- 2 When removing the metal frame, be careful not to damage the four springs in the corners (#2 above).
- 3 Remove the Earpiece (#3 above).

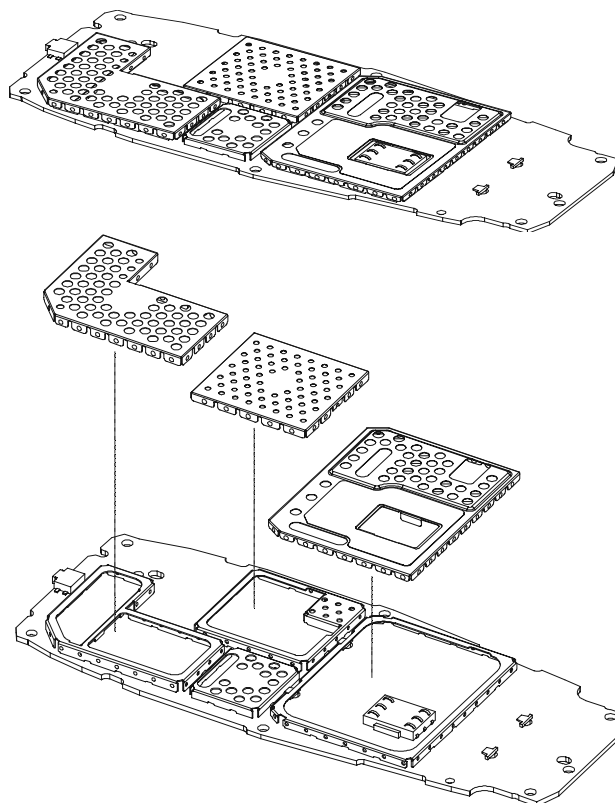
7. Remove the PWB Assembly



Remove PWB assembly.

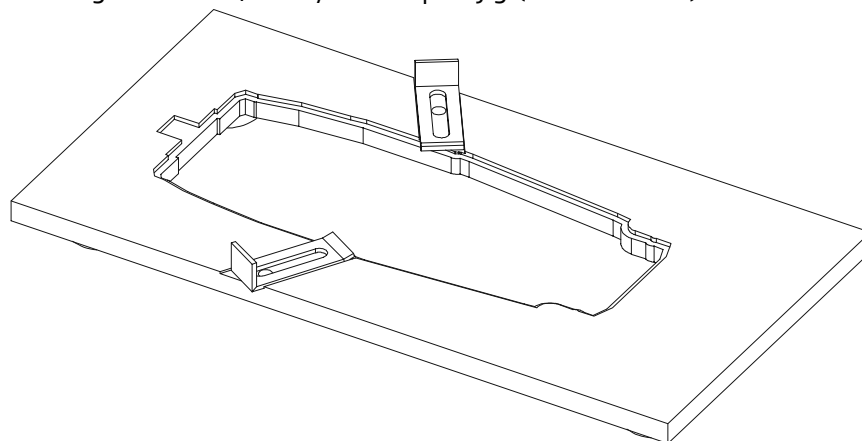
Place PWB on ESD table with LED upwards.

7.1 Remove shielding lids

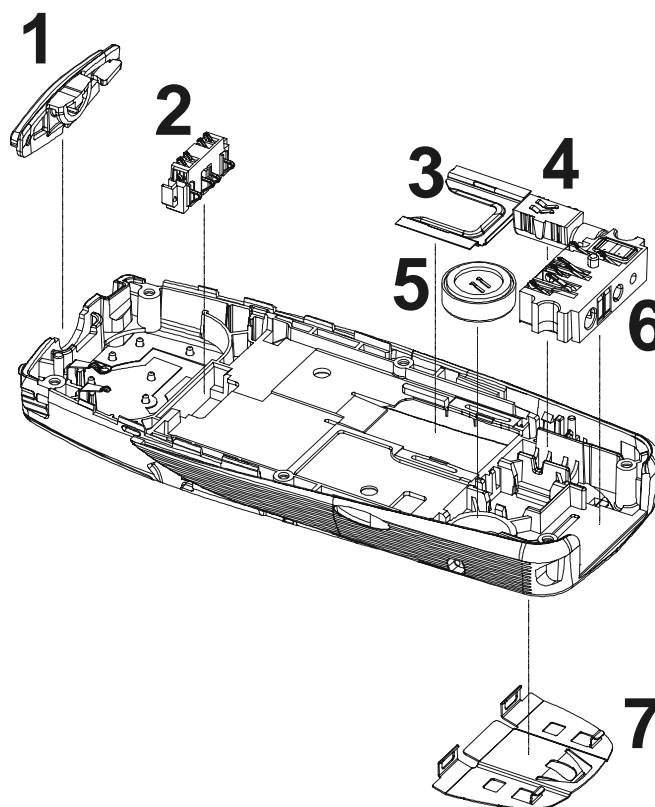


Remove shielding lids, as shown above. Do not re-use shielding lids once removed.

When working with PWB, always use repair jig (shown below).



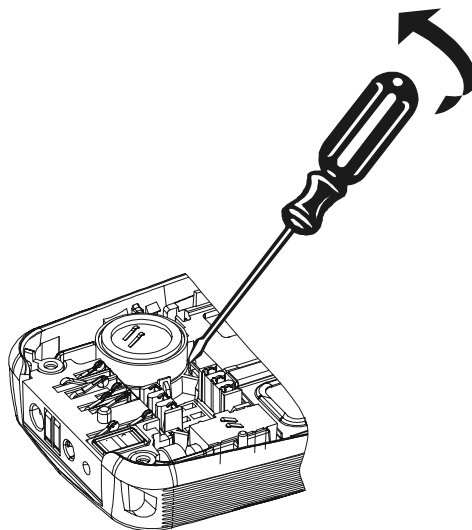
8. Remove components from D-cover Assembly



The following components are removable:

- 1 Power key
- 2 Battery connector
- 3 SIM card support
- 4 Vibra assembly
- 5 SALT speaker
- 6 Bottom connector
- 7 Release spring

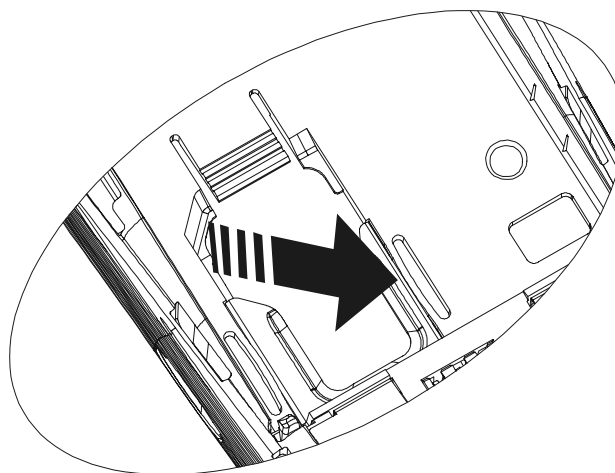
8.1 Remove SALT speaker



Use screwdriver size 2.50 – 3.50 mm.

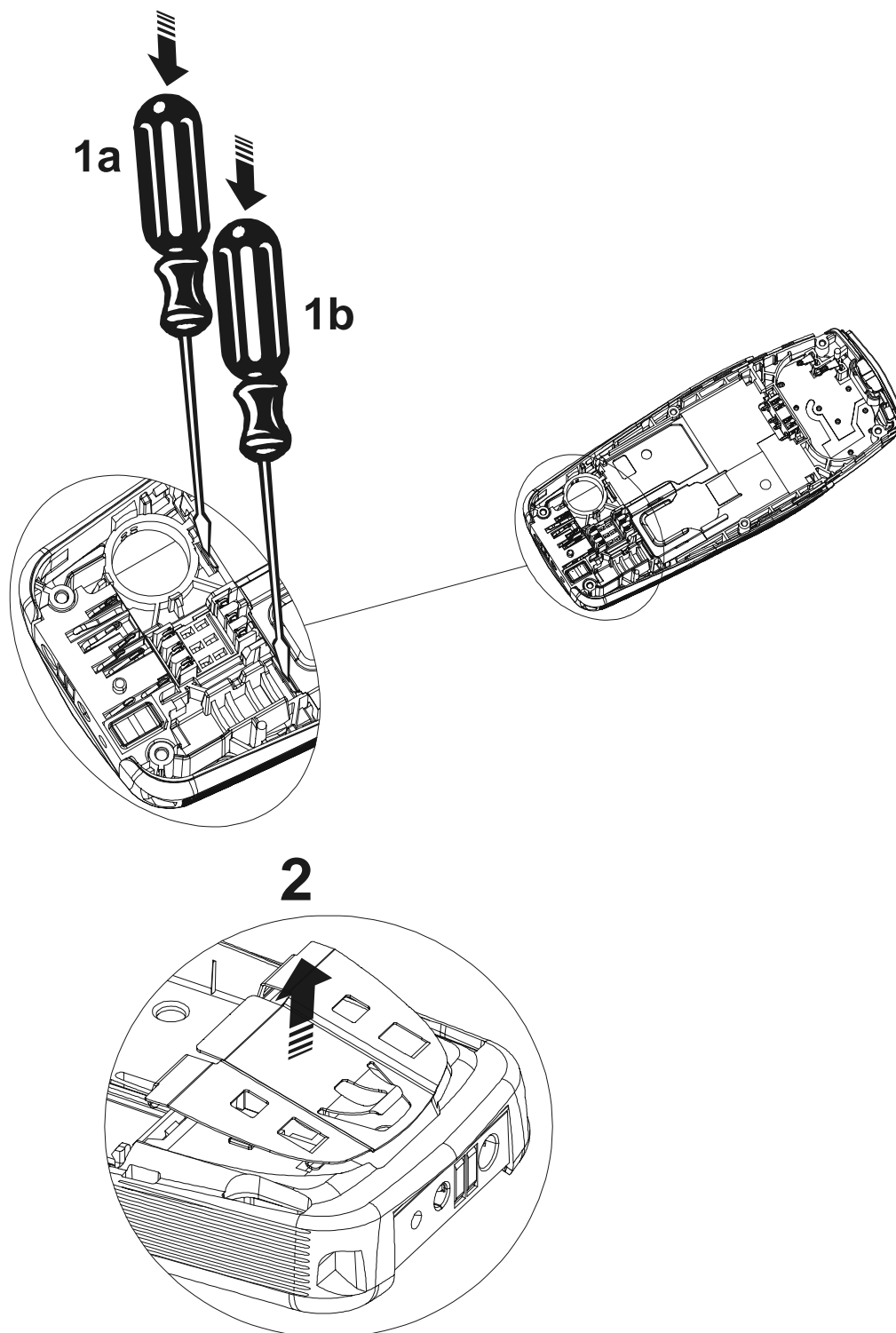
Remove SALT speaker by turning the screwdriver as shown here.

8.2 Remove the SIM support



The SIM support can be released by pressing downward at one of the edges (indicated by arrow in above diagram).

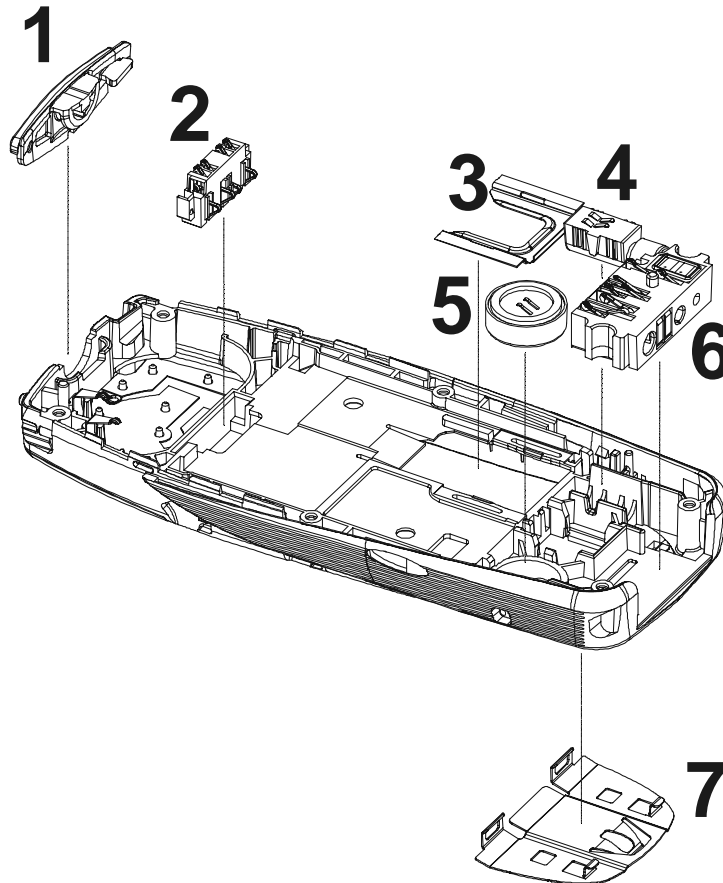
8.3 Remove release spring



- 1 Gently put screwdriver down at release spring interface and release the spring (#1a and 1b above).
- 2 Remove the spring (#2 above).

Assemble the NPM-8 Transceiver

1. Mount components in D-cover

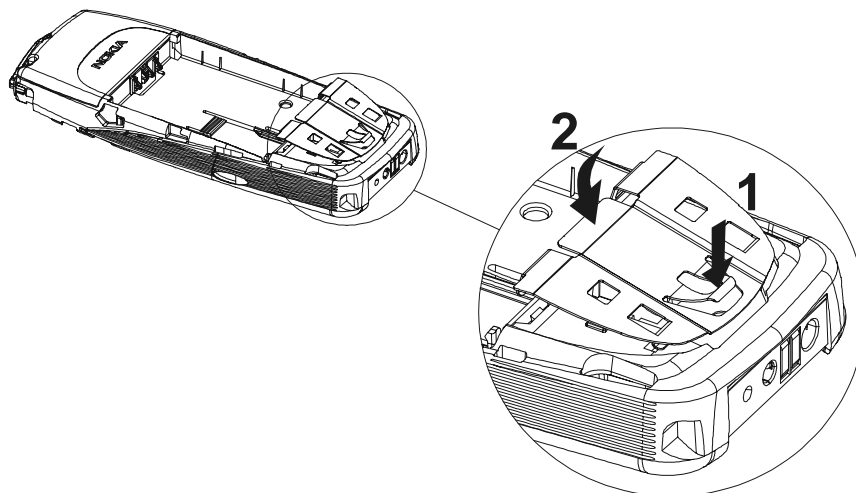


The following components are mountable:

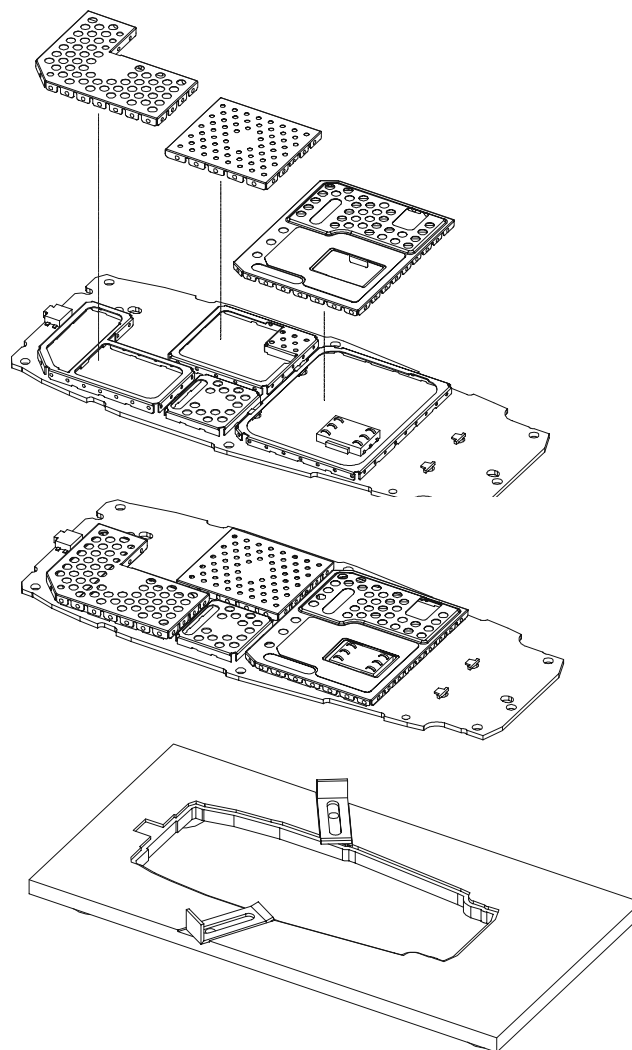
- 1 Power key
- 2 Battery connector
- 3 SIM card support
- 4 Vibra assembly
- 5 SALT speaker
- 6 Bottom connector
- 7 Release spring

Note: Ensure that all components are placed correctly.

1.1 Mount release spring

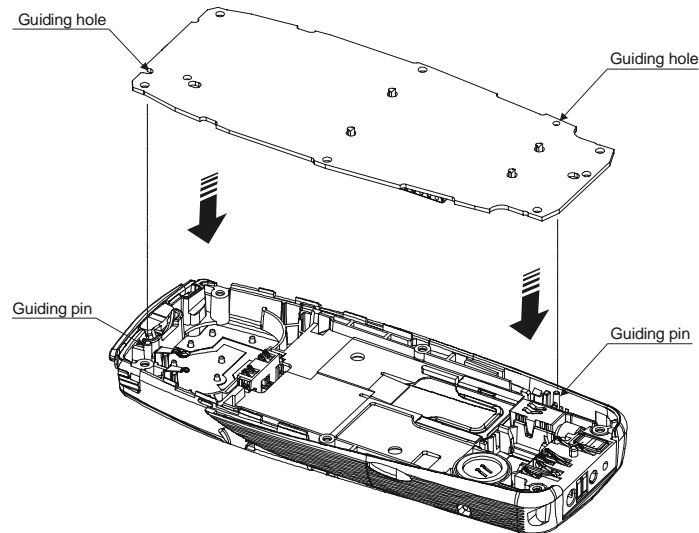


1.2 Mount shielding lids on PWB



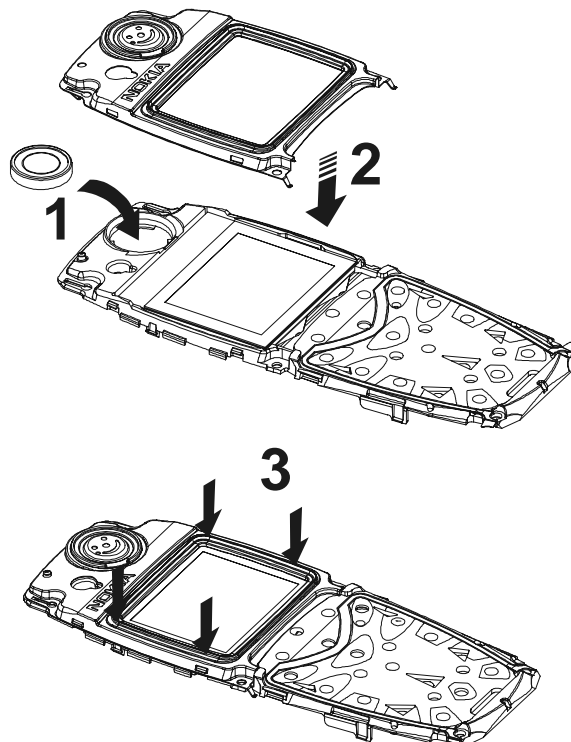
When working with PWB, always use the repair jig.

2. Mount PWB on D-cover



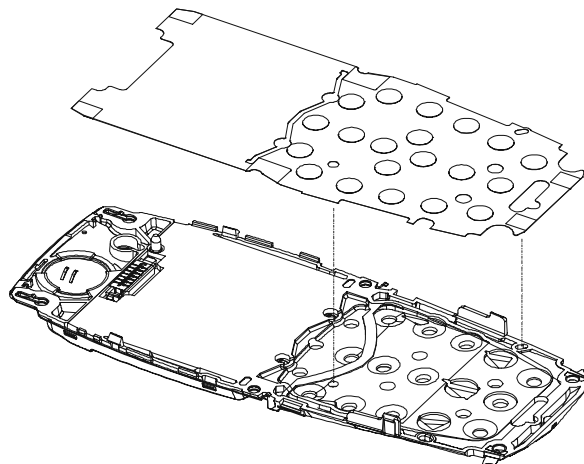
Use pins for guiding.

3. Mount earpiece and metal frame



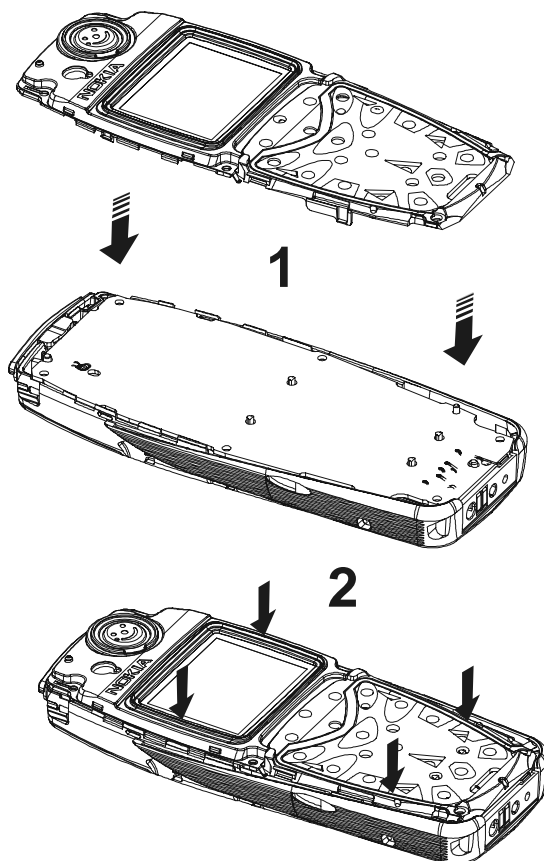
- 1 Mount the earpiece in lightguide.
- 2 Place metal frame on lightguide. Be careful handling the four springs in each corner.
- 3 Push the metal frame down (indicated by the arrows) until it snaps on.

4. Mount domesheet



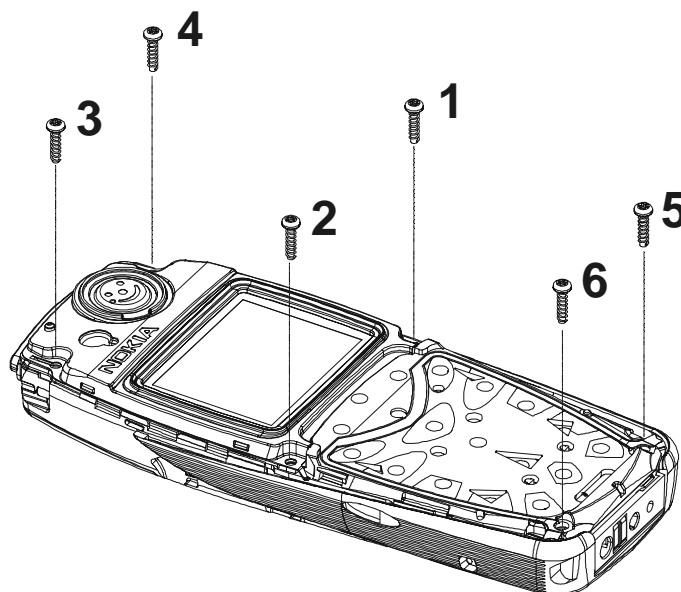
When mounting the domesheet, use the two holes as guides.

5. Mount Display Assembly on D-cover



- 1 Place the Display Assembly in the D-cover.
- 2 Push the Display Assembly down (at the arrows) until it snaps on.

6. Mount screws (Torx #6)

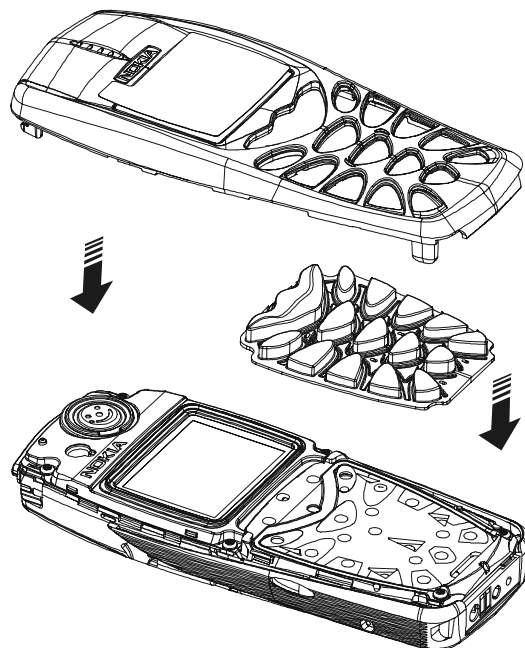


Fastening the screws:

Use a torx #6 screwdriver to fasten the screws in the order shown above.

Max torque 28Ncm at 500-600RPM.

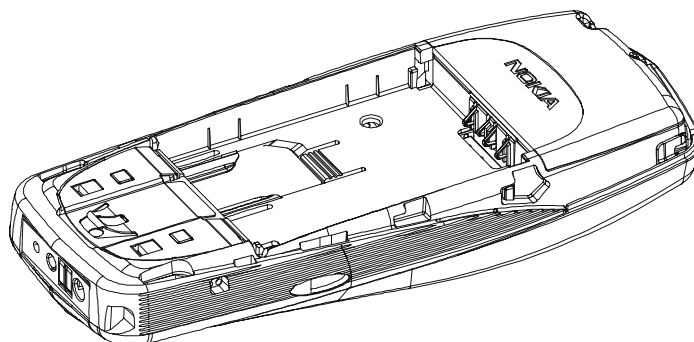
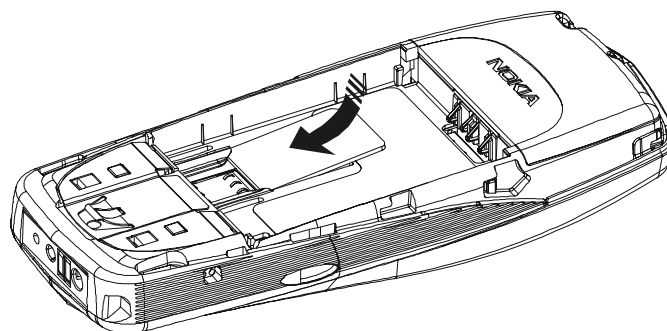
7. Mount Keymat and A-cover Assembly



Place keymat.

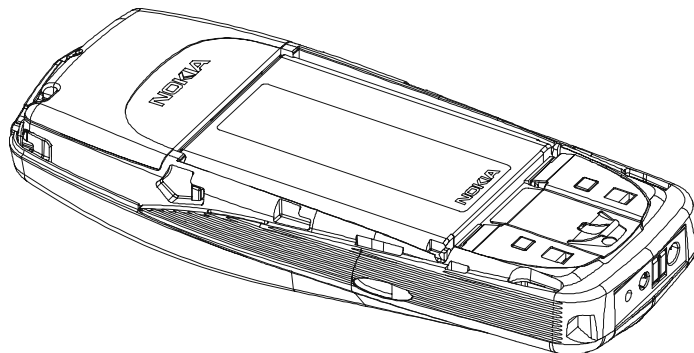
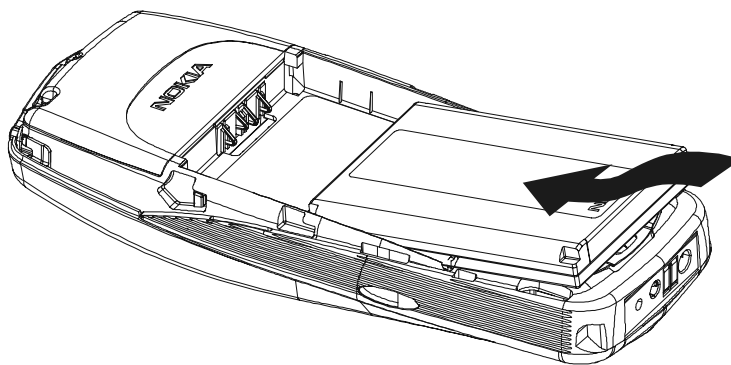
Push down the A-cover until it snaps on.

8. Mount SIM card



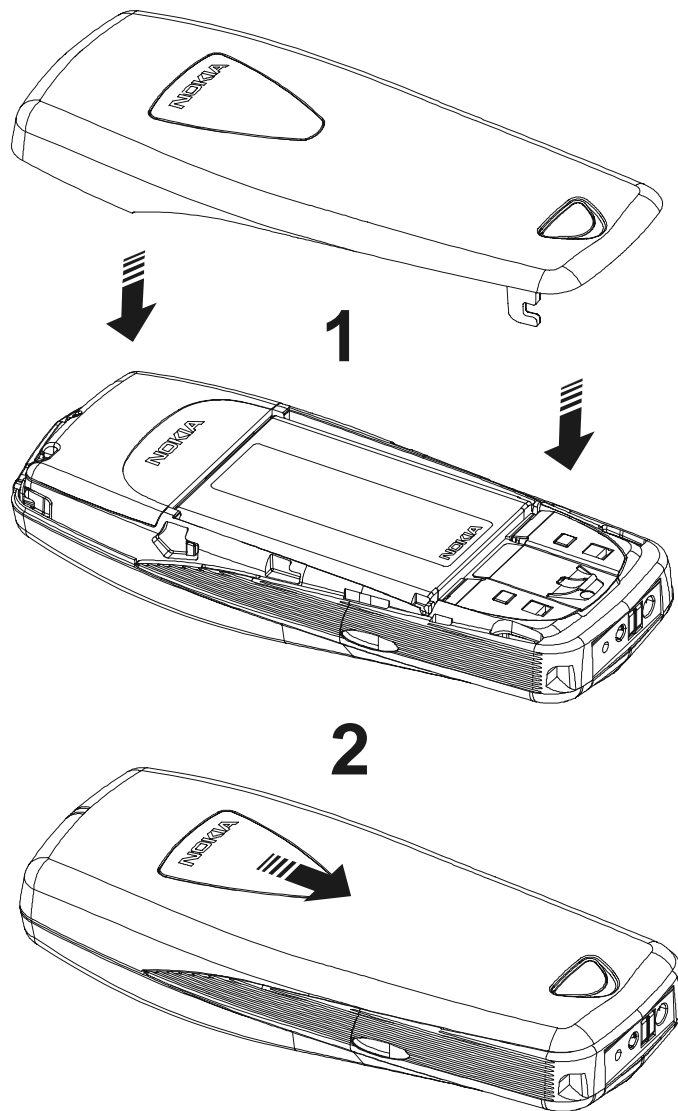
Slide the SIM card into place.

9. Mount Battery



Slide the battery under the hooks in the D-cover.

10. Mount B-cover Assembly



- 1 Place B-cover assembly on D-cover.
- 2 Push the B-cover in direction of arrow until it snaps on.